

## Elevator Alarm Position Sensor Clamp Replacement

### Issue

The elevator alarm position sensor clamp assembly on 500T/650T/750T AC top drives could possibly interfere with the hydraulic fittings on the link tilt cylinders when they are fully retracted and the pipe handler is rotated. While the practice of fully retracting the link tilt cylinders when the handler gear is rotated is not recommended by Canrig, the position sensor clamp assembly has been redesigned to prevent this interference from occurring.

### Recommendation



The pipe handler should not be rotated while the link tilt cylinders are fully retracted. Equipment damage can result.

The new position sensor clamp assembly may be installed to eliminate any possibility of interference. Refer to Figure 1 below for an example of a mounted top drive position sensor.

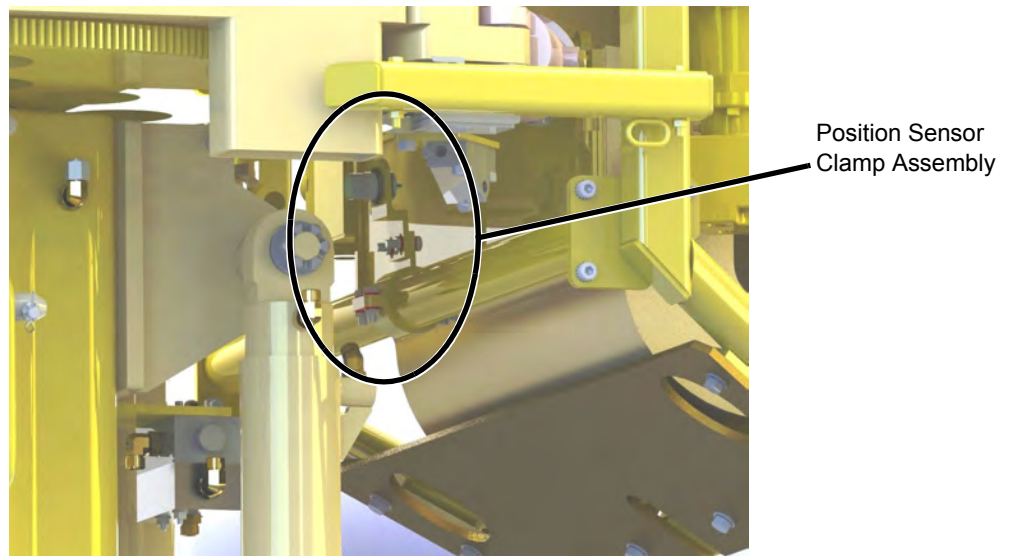


Figure 1: Position Sensor Mounted on Top Drive Guard's Crossbar

Applies To 500, 650, and 750 Ton AC Top Drives	August 15, 2012
Product Bulletin # 124	

The table below lists the relevant assembly numbers for the position sensor clamp assembly.

### Position Sensor Clamp Assembly (Old and New Part Numbers)

Old Position Sensor Clamp Assembly		New Position Sensor Clamp Assembly	
Part #	Description	Part #	Description
AY12991	Mount, HR Position Sensor, 500HR/AC 650T/750T	AY19267	Assembly, Clamp, Sensor, Prox, HR, TD
AY12991-1	Mount, HR Position Sensor, 500HR/AC 650T/750T	AY19267-1	Assembly, Clamp, Sensor, Prox, HR, TD
DT14605-1	Clamp, Mount, HR Position Sensor	DT31702	Clamp, Mount, Sensor, Prox, Handler Pos.
		DT31703	Clamp, Mount, Sensor, Prox, Handler Pos.

## Procedure

Remove the old top drive position sensor clamp (Canrig Part # DT14605-1) from the top drive guard's crossbar and replace with the new clamp parts (Canrig Part #'s DT31702 and DT31703). The original position sensor, position sensor mount, and fasteners can be reused for the new assembly if they are not damaged. Contact Canrig Sales to order the replacement parts.

Refer to Figure 4 on page 3 for specific mounting information.

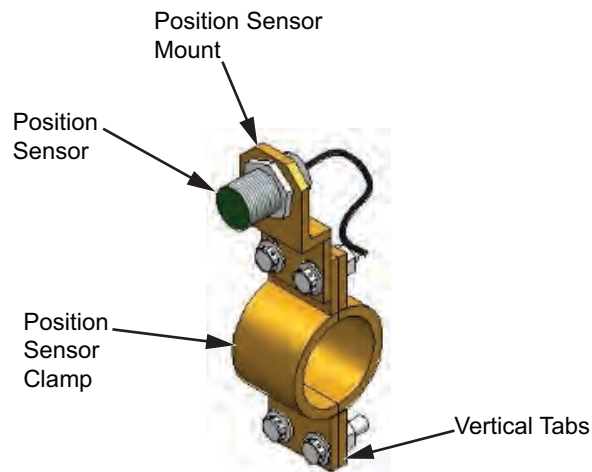


Figure 2: Old Assembly (Canrig Part # AY12991 & AY12991-1)

Applies To 500, 650, and 750 Ton AC Top Drives	August 15, 2012
Product Bulletin # 124	

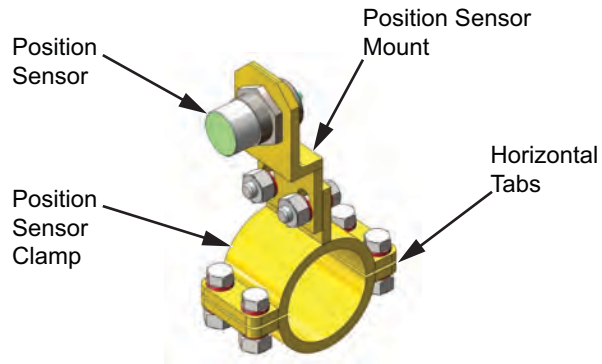


Figure 3: New Assembly (Canrig Part # AY1009267 and AY19267-1)

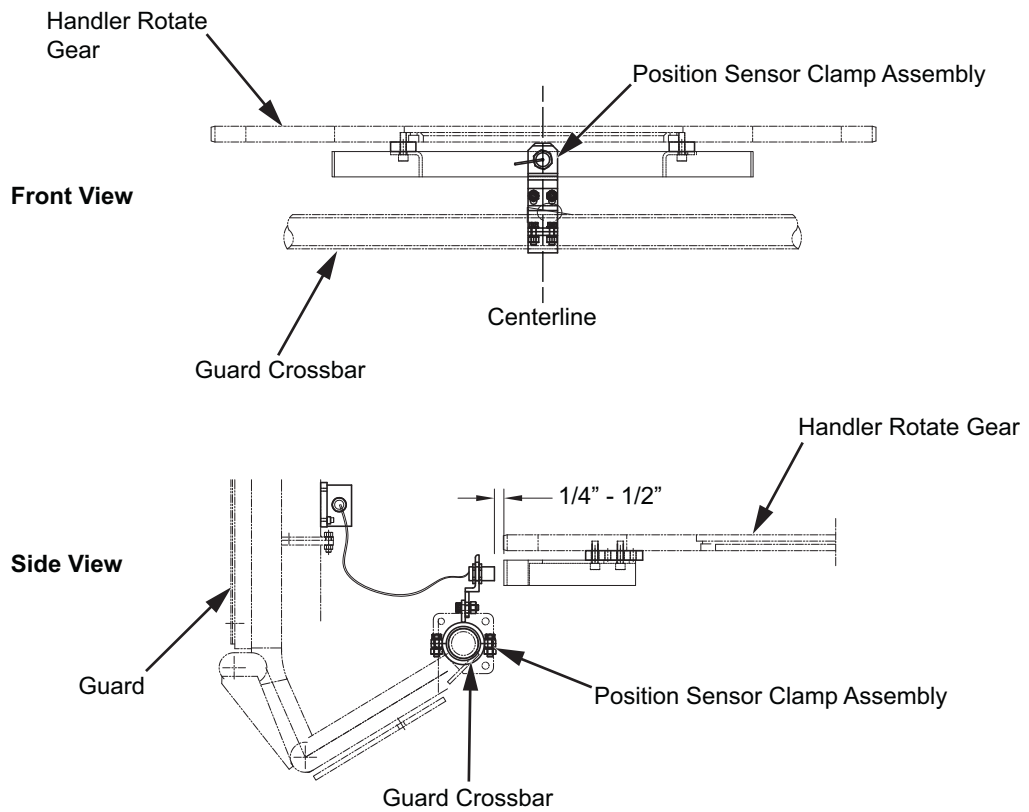


Figure 4: Position Sensor Clamp Installation