



CANRIG DRILLING TECHNOLOGY LTD

PRODUCT BULLETIN NUMBER: 35

DATE: June 13, 1995

SUBJECT: Proper use of Lifting/Snubbing Frames and Slings

SERIAL NUMBERS: 14, 16, 18, 19, 20, 21, 22, 23, 24

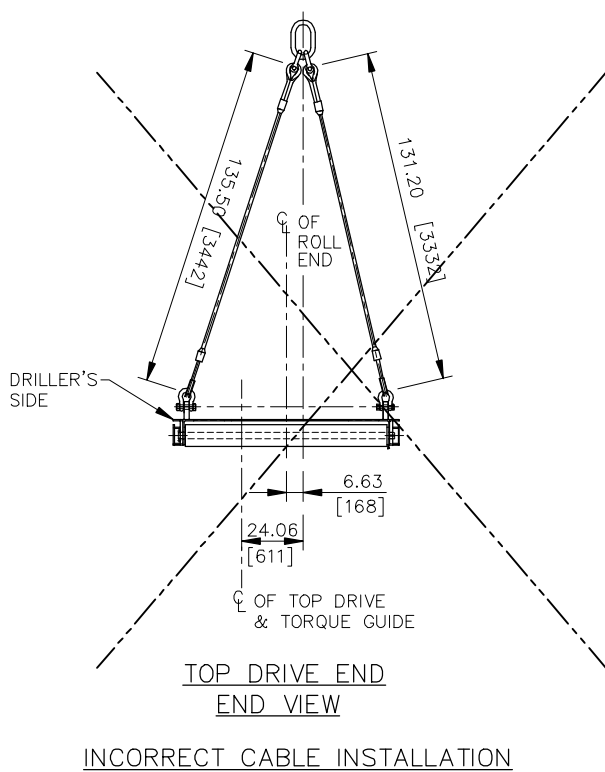
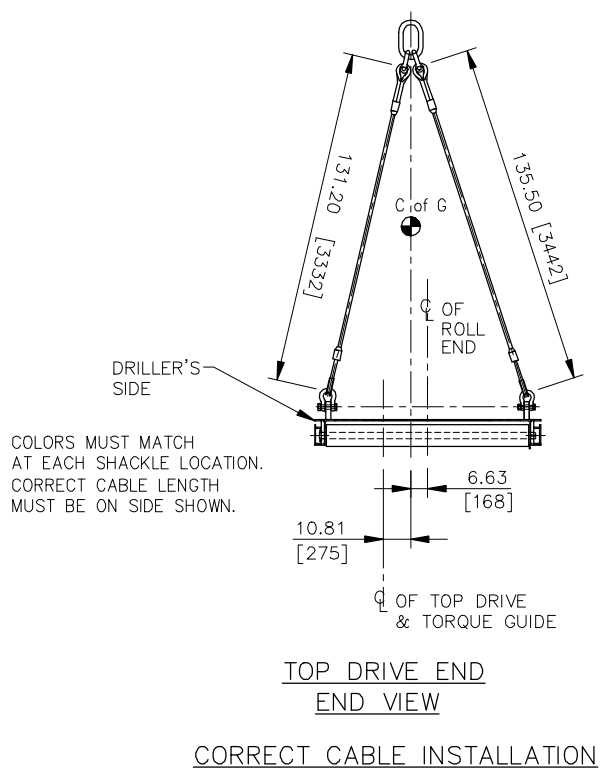
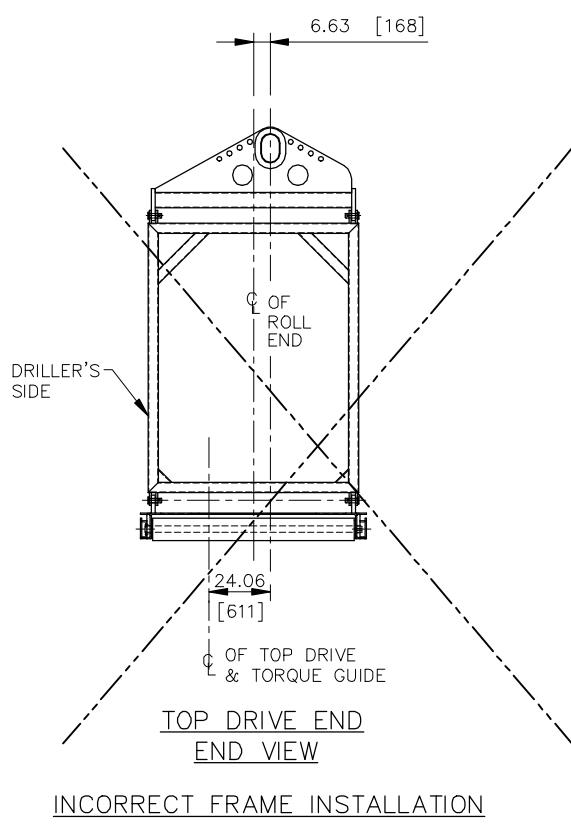
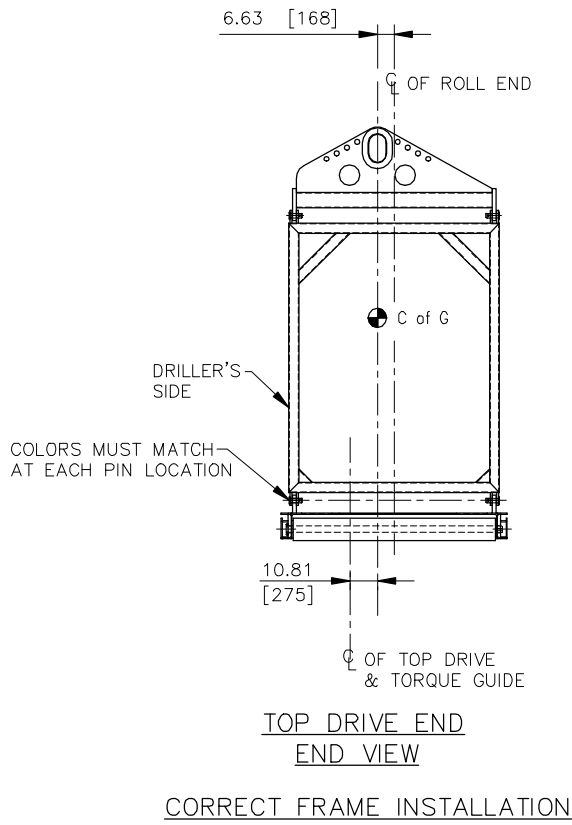
DISCUSSION: When using the lifting/snubbing frame or sling to install the torque guide and top drive it is imperative that the frame or sling be properly oriented. Our experience has shown that if left to their own devices people will probably install the frame or sling backwards. When properly installed the main lifting eye should be approximately 11 inches to the off drillers side of the top drive spindle. (This is illustrated on the attached drawing as well as in Section 6B of your Parts, Service, Data and Operating Manual). This will appear to be the wrong way around as the lifting eye will not be at the center of the roll end. The center of gravity of the skid is not coincident with the center of the roll end, therefore the offset in the main lifting eye. Installing the lifting/snubbing frame or sling wrong will result in the skid being unstable while hoisting into position and could become a safety issue.

INFORMATION:

For further information contact:

Field Operations Manager
Canrig Drilling Technology Ltd.
14703 FM 1488
Magnolia, Texas 77354
Phone: 281.259.8887
Fax: 281.259.8158

CANRIG DRILLING TECHNOLOGY



BULLETIN NO.	035	DRAWN BY	DC	SCALE	1:80
REV.	0	DATE	95/06/13	PLOTTED	95/06/13