

SAFETY ALERT

DATE: February 22, 2001

SUBJECT: RETRACTION FRAME/ GUIDE RUNNERS

SERIAL NUMBERS: 135, 136, 137

DISCUSSION: Improper securing of guide runners and all related fasteners could result in the runners or fasteners falling free.

RECOMMENDATION: All fasteners on the retraction frame assembly should be inspected for proper torque value and safety wire. The guide runners are not currently secured properly. They should be secured by one of two ways:

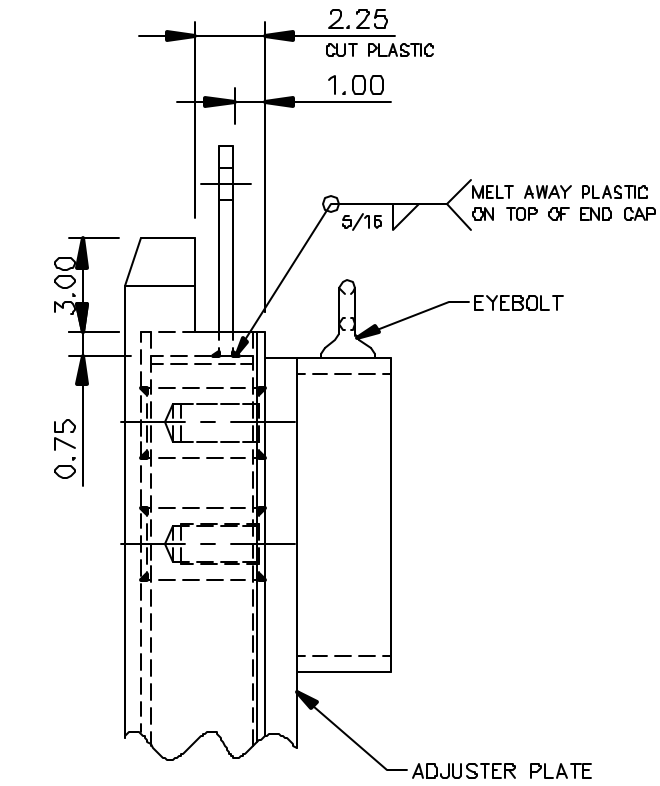
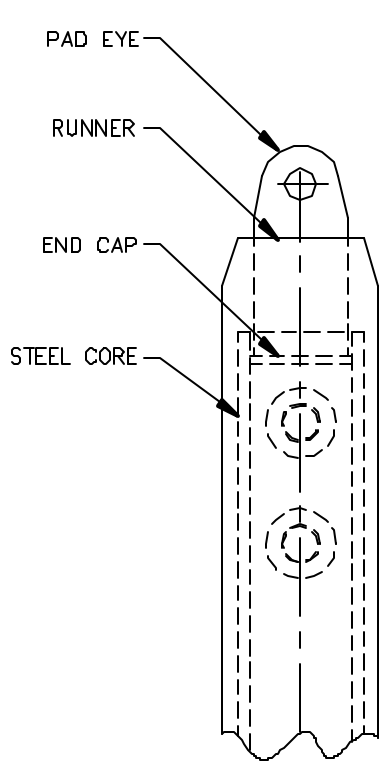
- 1) Cut off the top 3" of plastic from the top end of each runner. Drill and tap the top end cap of the runners 1/2".
NOTE: The steel end cap is located approximately 3/4" below the top of the cut runner. Thread a 1/2" eyebolt into the top of each runner and secure to the eyebolt on top of the adjusting plate with 1/4" wire.
- 2) Weld a pad eye to the top of each runner on the face that fits against the adjusting plate. The steel core of the runner extends above the top of the adjusting plate by 3/4". The pad eye should be welded to steel core of the runner at this location. Secure the runners to the eyebolt on top of the adjuster plate with 1/4" wire.

And Safety cables or wires that are removed to facilitate repairs must be re-installed prior to operation of the Top Drive or Retraction Frame.

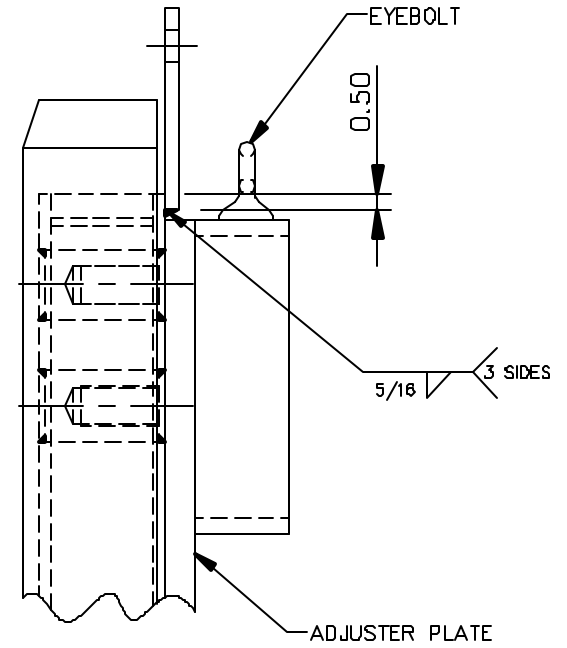
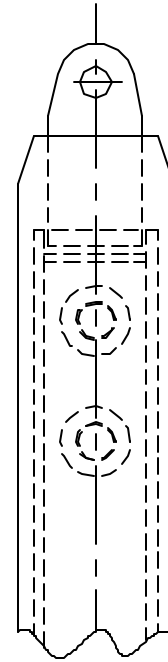
INFORMATION:

For further information contact:

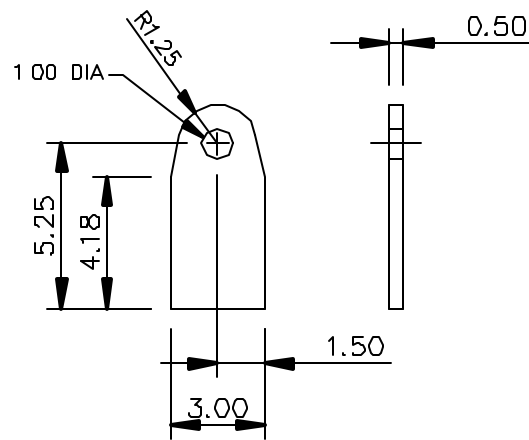
Field Operations Manager
Canrig Drilling Technology Ltd.
14703 FM 1488
Magnolia, Texas 77354
Phone: 281.259.8887
Fax: 281.259.8158



OPTION #1



OPTION #2



PAD EYE DETAIL