



Model: PC3000 Serial #: N/A	Mar. 2, 2020
Product Bulletin # PC-043 v 1.0	

## New Adjustable Catwalk Offerings

---

Canrig will soon offer the following products for PC3000 Catwalk model:

- New Adjustable Ramp
- New Adjustable Pocket

### New Adjustable Ramp

Canrig will provide a new adjustable ramp design which accommodates ramp lengths between 29'–41' in 4' and 8' increments. Adjustability is obtained through the addition or removal of ramp inserts. Canrig will provide an option to upgrade a V1.1 ramp—32' or longer—to the new adjustable ramp design. For further details, contact your Field Service Representative, Account Manager, or RIGLINE 24/7™ Support.

- New design purchase for Adjustable Ramp (Canrig P/N: AY52988). Adjustable ramp assembly can be configured with either ramp inserts (4' Canrig P/N: DT52406 and 8' Canrig P/N: DT52407).
- Upgrade modification (Canrig P/N: DT52404) will be available as an upgrade package. This option only includes the kit required to modify Catwalks V1.1 with ramp lengths of 32', 37', or 41' into new lower ramp weldment design.

### New Adjustable Pocket

Canrig will provide a new adjustable pocket design which provides the capability to reconfigure catwalk pocket position to various predetermined positions. Catwalk base skid will require upgrade modification to accept the new adjustable design. For further details, contact your Field Service Representative, Account Manager, or RIGLINE 24/7™ Support.

- New design purchase for Adjustable Pocket (Canrig P/N: AY52987) includes all parts for skid modification as well as new adjustable pocket design components.

## Adjustable Catwalk Features and Upgrades

The adjustable catwalk upgrades include the following features/upgrades:

### Adjustable Ramp

- Configurability between various ramp lengths
- Bolted-joint connection between major components

For further details, contact your Field Service Representative, Account Manager, or RIGLINE 24/7™ Support.

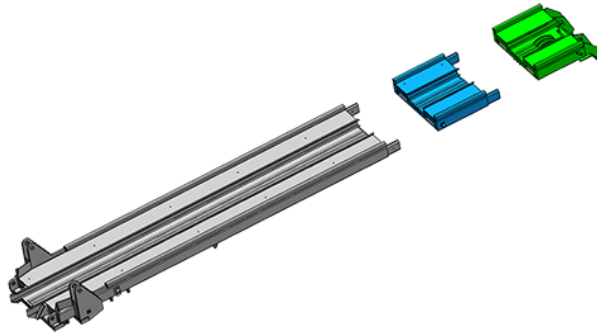


Figure 1: Adjustable Ramp

### Adjustable Pockets

- Configurability between various pocket positions
- Bolt-on adjustable pocket design

For further details, contact your Field Service Representative or Account Manager, or RIGLINE 24/7™ Support.

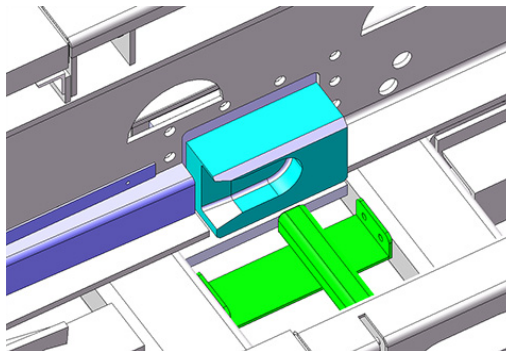


Figure 2: Adjustable Pocket