

**PRODUCT:** TM-80

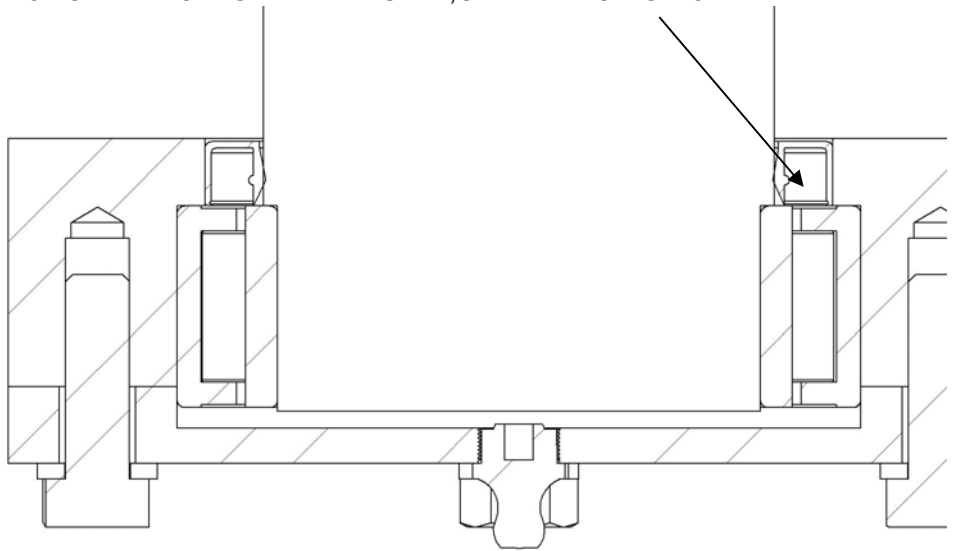
**DATE:** Apr 27/09

**SUBJECT:** Orientation of spinner roller seals

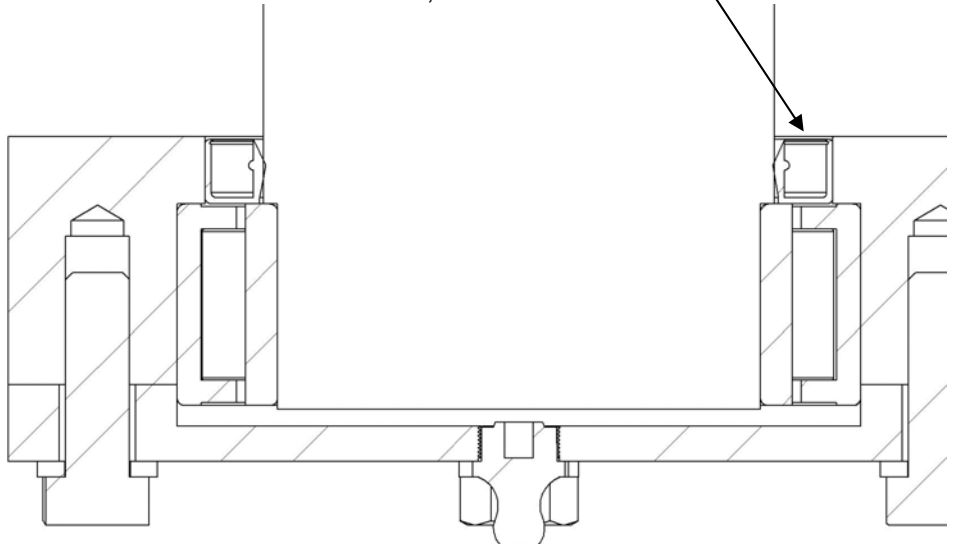
**SERIAL NUMBERS:** ALL

**DISCUSSION:** CANRIG has discovered that early production units of the TM-80 may have had the grease seals installed upside down. This prevent excess grease and pressure from exiting the cavity and may eject the seal or push the roller shaft up.

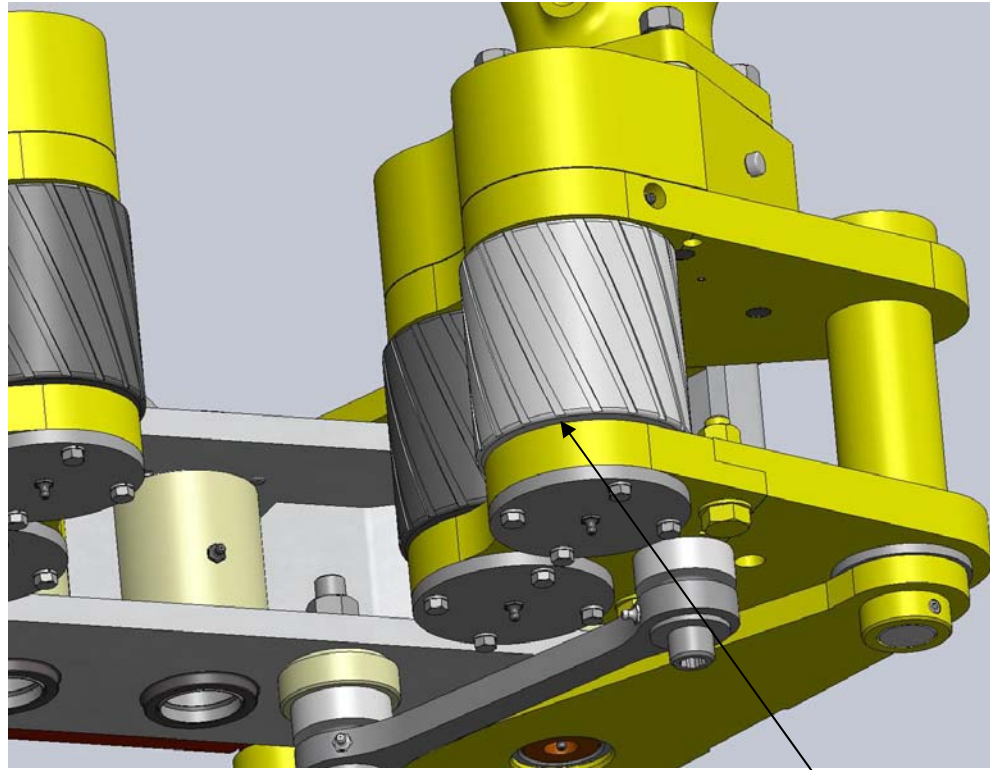
WRONG WAY TO INSTALL THE SEAL,CAVITY FACING DOWN



RIGHT WAY TO INSTALL THE SEAL,CAVITY FACING UP



**RECOMMENDATION:**



GREASE SHOULD BE VISIBLE UNDER ROLLER

Check seal orientation by greasing spinner roller shafts, grease should come out under rollers. If not the seal is installed upside down, unscrew grease nipple to release excess pressure.  
Contact CANRIG to ship 4 of seal P/N S10104 and 4 of bearing P/N M10644  
See DWG # 188200005 for installation instructions.

**INFORMATION:**

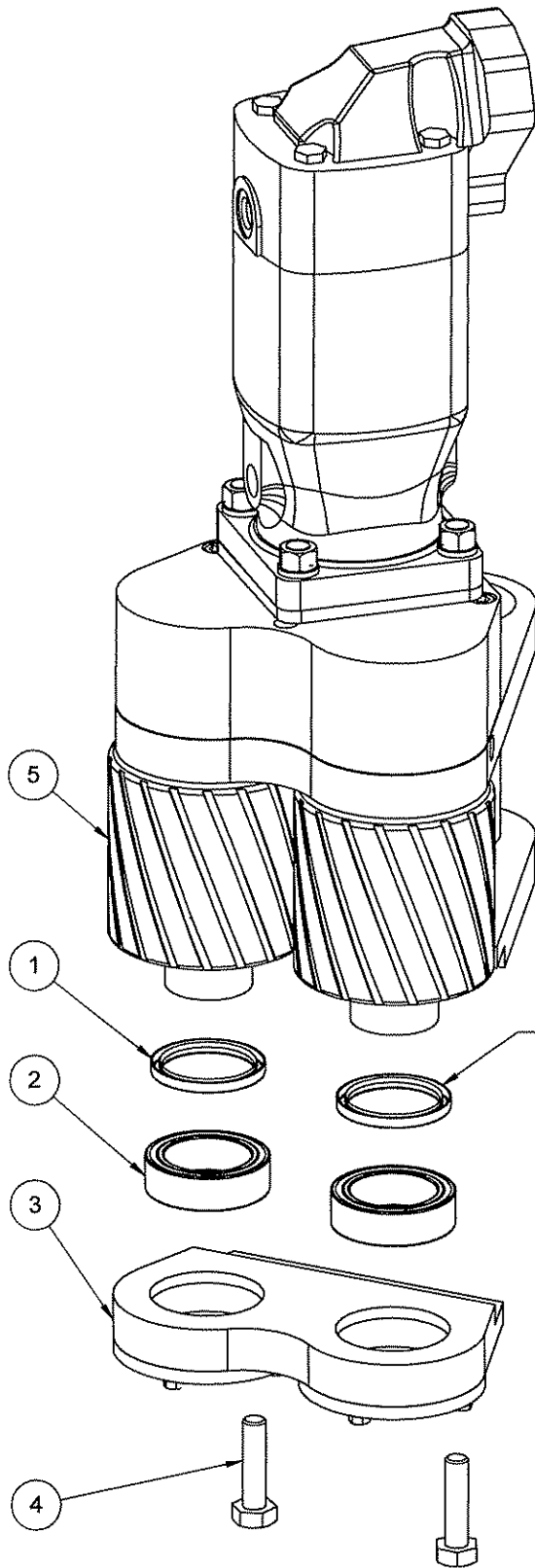
For further information contact:

*For a complete list of all bulletins go to [www.canrig.com](http://www.canrig.com)*

Field Service  
Canrig Drilling Technology Ltd.

14703 FM 1488  
Magnolia, Texas 77354  
Phone: 281.259.8887  
Fax: 281.259.8158

7475 51 Street SE  
Calgary, AB T2C 4L6  
Phone: 403.237.6400  
Fax: 403.536.4605



**SPINNER ROLLER SEAL /BEARING REPLACE INSTRUCTION**

1. REMOVE LINK ARM (NOT SHOWN - 3/4" BOLT)
2. RETAIN ITEM #5 ROLLERS FROM FALLING DOWN
3. UNSCREW ITEM #4 (2 - 5/8") BOLTS
4. REMOVE ITEM #3 SPINNER LOWER PLATE
5. REPLACE ITEM #1 WITH NEW SEALS (2)
6. REPLACE ITEM #2 WITH NEW BEARINGS (2) (MAY HAVE TO UNBOLT (8 - 5/16") AND REMOVE BOTTOM COVER PLATES (2) IN EVENT OF ANY DIFFICULTIES REMOVING BEARINGS)
7. ASSEMBLE IN REVERSE ORDER

SEALS CAVITY HAS TO FACE UPWARDS

REV.	DESCRIPTION	DATE
A	RELEASE TO PRODUCTION	4/30/2009
00		4/30/2009

© 2009 CANRIG DRILLING TECHNOLOGY CANADA LIMITED  
ALL RIGHTS RESERVED

THE DRAWINGS, INFORMATION AND SUBJECT MATTER HEREOF ARE THE CONFIDENTIAL, SOLE AND EXCLUSIVE PROPERTY OF CANRIG DRILLING TECHNOLOGY CANADA LTD, AND ARE NOT TO BE COPIED, REPRODUCED, OR USED IN ANY MANNER FOR ANY PURPOSE WHATSOEVER WITHOUT WRITTEN CONSENT OR DIRECTION.



7475 51 Street SE  
Calgary, Alberta, Canada, T2C 4L6  
Website: www.canrig.com  
Bus. (403) 237-6400 Fax. (403) 233-2667

TITLE:

**TM-80 SPINNER ROLLER SEAL INSTALLATION**

DRAWN BY:	DATE:	DRAWING NO:	SHEET:	REV:
-	4/27/2009	188200005	1 OF 1	A

This page intentionally left blank