


Change Bulletin			 <p>Tesco Corporation 5616 – 80th Avenue SE Calgary, Alberta, Canada T2C 4N5 Tel: 1-877-TESCO-77 (North America) Tel: 1 (713) 359-7195 (AMSS 24-hour support) Tel: 1 (713) 359-7295 (International) Email: bulletins@tescocorp.com www.tescocorp.com www.tescoparts.com</p>
No: CB062	Rev: 0	Date: Dec/14/2015	
Replacing the Ball Retainer in the Cementing Plug Launching System (CPLS)			
<input checked="" type="checkbox"/> Internal Use Only		<input type="checkbox"/> External Use	<input checked="" type="checkbox"/> Mandatory <input type="checkbox"/> Recommended

NOTE: All parts mentioned have Tesco part numbers unless otherwise noted.

BACKGROUND INFORMATION:

During operation of the Cementing Plug Launching System (CPLS), the ball retainer that holds the aluminum ball may prematurely release the ball into the fluid stream (see Figure 1). To reduce this risk, a design change has been implemented to replace the ball retainer inside the CPLS.

NOTE: There are two different sizes of ball retainers available: for a 1-1/2 in. diameter ball and for a 1-3/16 in. diameter ball.

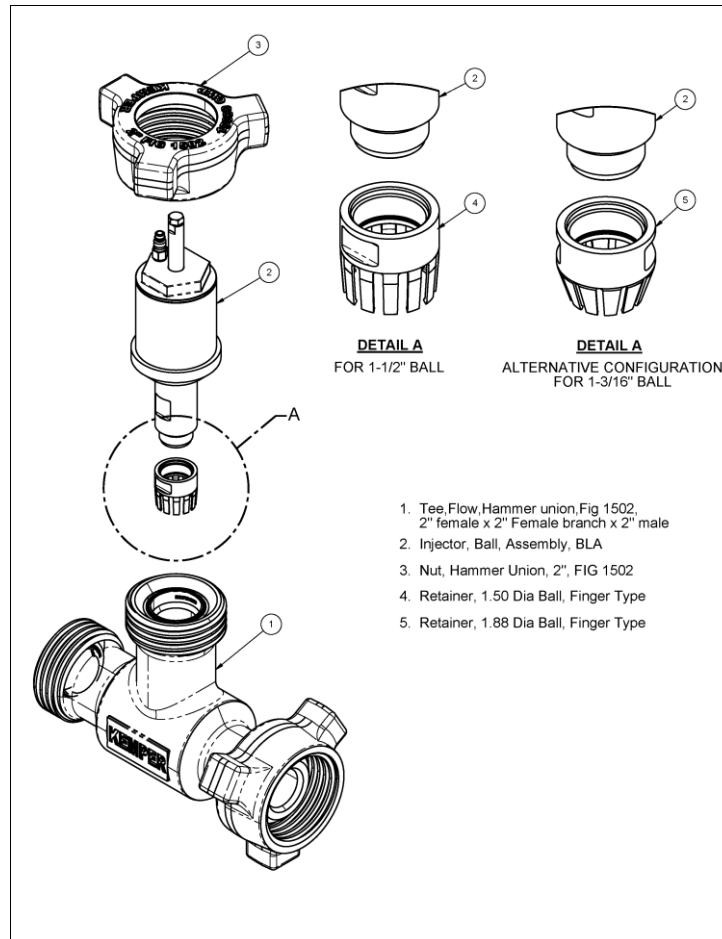


Figure 1: Ball launch assembly (BLA)

Version	Date (D/M/Y)	ECN	Description of changes
Rev 0	14/12/2015	201-0020	Initial release of document

Copyright © 2015 Tesco Corporation. TESCO® is a registered trademark in the United States and Canada. Casing Drive System™, CDS™, Multiple Control Line Running System™ and MCLRS™ are trademarks in the United States. All information in this document is proprietary and confidential, and shall remain the sole property of Tesco Corporation. This document shall not be used, copied, or reproduced in whole or in part, nor shall be revealed in any manner to outside parties without prior written permission from Tesco Corporation.

AFFECTED PRODUCTS:

Table 1 provides information regarding the affected ball retainers and the ball launcher assembly.

Tesco Part #	Part Description	Change
5003541	Retainer, 1-1/2" Ball, Finger Type, BLA	Superceded by 5003541-1
5003540	Retainer, 1-3/16" Ball, Finger Type, BLA	Superceded by 5003540-1
5003480-1	Ball Launcher Assembly, CPLS	Revised from Rev 0 to Rev 1

Table 1: Affected part numbers

ACTION REQUIRED:

All District Managers are required to disseminate the following information to all concerned parties:

- All existing ball retainers, 5003541 and 5003540, will no longer be used and must be replaced with 5003541-1 and 5003540-1, respectively. This change also affects all ball retainers in field kits and in the facilities across all business units.
- See Table 2 and Table 3 to locate and replace all existing ball retainers.

Company	Total inventory	Item number	Item name
arg	2	5003541	Retainer, 1-1/2" Ball, Finger Type, BLA
COL	5	5003541	Retainer, 1-1/2" Ball, Finger Type, BLA
DIMX	1	5003541	Retainer, 1-1/2" Ball, Finger Type, BLA
ECU	1	5003541	Retainer, 1-1/2" Ball, Finger Type, BLA
mfgc	8	5003541	Retainer, 1-1/2" Ball, Finger Type, BLA
usa	1	5003541	Retainer, 1-1/2" Ball, Finger Type, BLA

Table 2: Current inventory of part no. 5003541

Company	Total inventory	Item number	Item name
arg	3	5003540	Retainer, 1-3/16" Ball, Finger Type, BLA
mfgc	8	5003540	Retainer, 1-3/16" Ball, Finger Type, BLA
NAUS	-	5003540	Retainer, 1-3/16" Ball, Finger Type, BLA
usa	9	5003540	Retainer, 1-3/16" Ball, Finger Type, BLA

Table 3: Current inventory of part no. 5003540