

Safety Bulletin			 TESCO [®]	Tesco Corporation 5616 – 80th Avenue SE Calgary, Alberta, Canada T2C 4N5 Tel: 1-877-TESCO-77 (North America) Tel: 1 (713) 359-7195 (AMSS 24-hour support) Tel: 1 (713) 359-7295 (International) Email: bulletins@tescocorp.com www.tescocorp.com www.tescoparts.com	
No: SB087	Rev: 1	Date: September 14, 2016			
Lock-Out Doors Prevent Manual Operation of Catwalk					
<input type="checkbox"/> Internal Use Only		<input checked="" type="checkbox"/> External Use		<input checked="" type="checkbox"/> Mandatory	<input type="checkbox"/> Recommended

NOTE: All numbers in parentheses are TESCO part numbers unless otherwise noted.

BACKGROUND INFORMATION:

In current models of the TESCO Automated Catwalk, the main valve bank provides control of all main hydraulic functions, such as the front/rear lifting arms and indexing arms. The auxiliary valve bank provides control of all auxiliary hydraulic functions, including the front/rear leveling jack and gullwings. Both valve banks are located at the back of the catwalk.

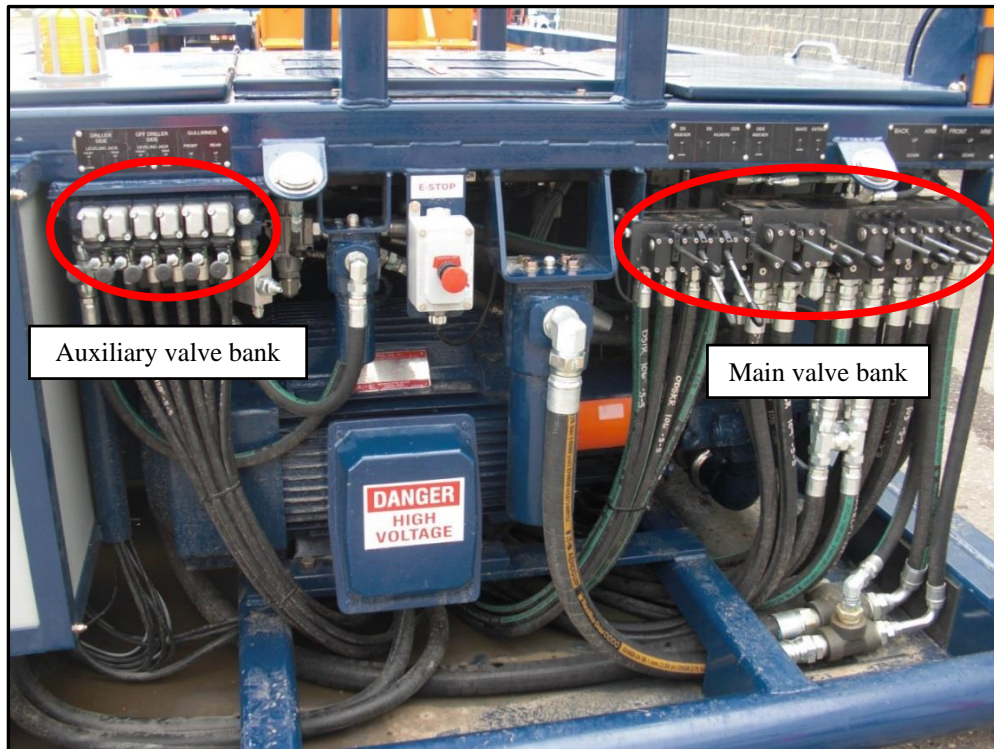


Figure 1: Main and auxiliary valve banks control all hydraulic functions of the catwalk

Certain scenarios warrant manual operation where rig personnel physically control hydraulic functions at the valve banks, such as during installation or performing routine maintenance. Otherwise, the catwalk must only be controlled via wireless remote during normal operating conditions. Refer to the TAC-45 Catwalk Installation and Operations Guide (5041566) and Safety Bulletin SB089 for instructions on operating the catwalk remotely.

Copyright © 2015 Tesco Corporation. TESCO® is a registered trademark in the United States and Canada. Casing Drive System™, CDS™, Multiple Control Line Running System™ and MCLRS™ are trademarks in the United States. All information in this document is proprietary and confidential, and shall remain the sole property of Tesco Corporation. This document shall not be used, copied, or reproduced in whole or in part, nor shall be revealed in any manner to outside parties without prior written permission from Tesco Corporation.

In the existing design, rig personnel can inadvertently function the exposed valve banks (valve handles) and cause unintentional actuation of the controls, potentially endangering personnel in the vicinity and damaging the catwalk.

TESCO has designed two lock-out doors that cover the main and auxiliary valve banks, respectively. The lock-out doors eliminate the possibility of any accidental actuation of the valves when the catwalk is in operation.

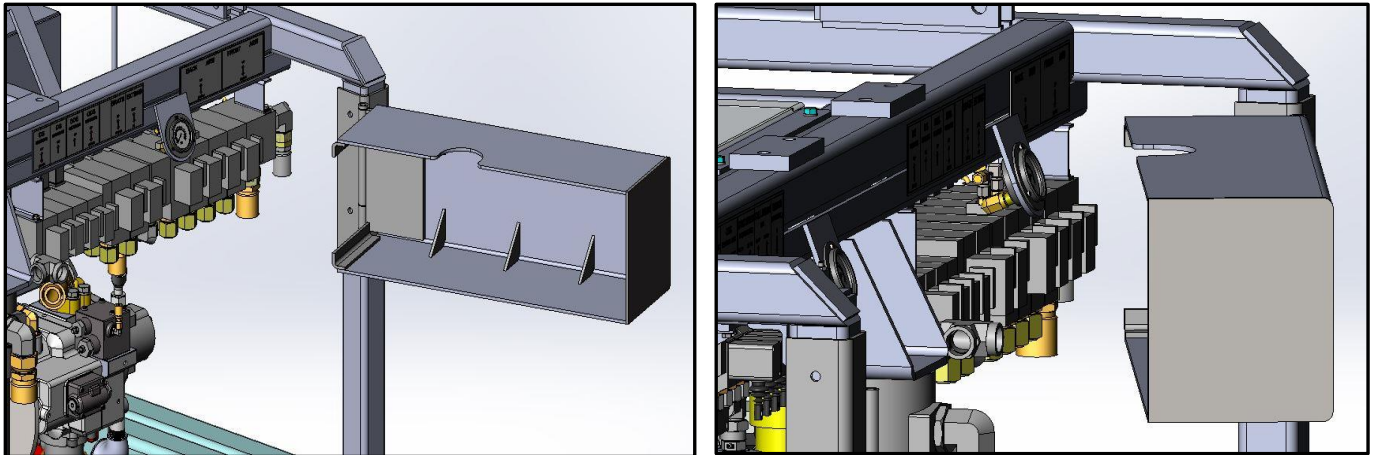


Figure 2: Lock-out door prevents personnel from actuating the main valve bank

The addition of the lock-out doors also prevents manual operation of the catwalk. After setting the PLC for the remote operation of the catwalk, the valve handles are removed from the valve banks and the lock-out doors cover the main and auxiliary valve areas. If there are instances where manual operation of the catwalk is required, the lock-out doors should be opened and the valve handles re-installed.

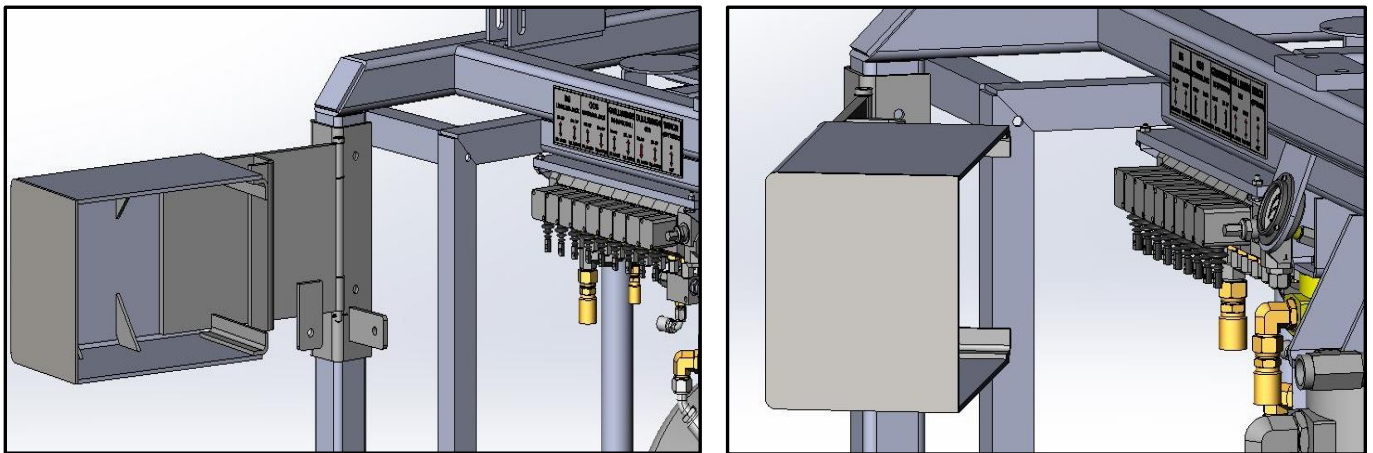


Figure 3: Lock-out door prevents personnel from actuating the auxiliary valve bank

AFFECTED PRODUCTS:

TESCO Automated Catwalk TAC-45.

TESCO Part #	Description
5038778	Power Catwalk,58-ft,Pipe Handler,480V,TAC-45

ACTION REQUIRED:

The lock-out doors are standard features included in all new catwalks being manufactured.

For existing catwalks operating in the field, TESCO will supply the lock-out doors for installation. In the meantime, customers should follow the recommended steps to ensure the safety of rig personnel.

1. Ensure that there is no personnel or moving parts in close vicinity of the main and auxiliary valve banks during remote operation of the catwalk.
2. Ensure the valve handles are removed as per the TAC-45 Catwalk Installation and Operations Guide (5041566) after they are set up and calibrated.
3. Operate the catwalk entirely using the remote operation whenever possible.
4. Do not operate the valve banks if the valve handles are removed.

Contact your local TESCO Aftermarket Sales and Service center for further information regarding the lock-out doors.

Version	Date (D/M/Y)	ECN	Description of changes
Rev 0	27/11/2014	267-0001	Initial release of document
Rev 1	14/09/2016	157-0065	Remove reference to PLC failure in second paragraph

Copyright © 2015 Tesco Corporation. TESCO® is a registered trademark in the United States and Canada. Casing Drive System™, CDS™, Multiple Control Line Running System™ and MCLRS™ are trademarks in the United States. All information in this document is proprietary and confidential, and shall remain the sole property of Tesco Corporation. This document shall not be used, copied, or reproduced in whole or in part, nor shall be revealed in any manner to outside parties without prior written permission from Tesco Corporation.