

Change Bulletin

No: CB041

Rev: 0

Date: 8 Dec 2009

**Description: Schroeder[®] Pop-Up Indicator
(30 psi Dirt Alarm[®]) Superseded
(ECN-097-0153)**



Tesco Corporation
3993 W. Sam Houston Pkwy N.
Suite 100
Houston, Texas. 77043
Phone: (713) 359-7000
www.tescocorp.com

BACKGROUND INFORMATION:

On November 17 2008 Schroeder[®] Industries LLC changed over their filter housings to incorporate a new style D5 (latching) visual pop-up indicator. The old style visual pop-up indicator was depleted as the new style visual pop-up indicator was phased in. Advantages include: improved performance; more impervious to water and dust; and easier to install in the field as one piece rather than several pieces.

The old style visual pop-up indicator, replacement P/N 2370, is superseded by the new style visual pop-up indicator, P/N 970292.

One physical difference is that the new style visual pop-up indicator is 0.40" taller than the old style visual pop-up indicator. This is mentioned as a means of identifying whether a pop-up indicator is the old style or the new style; rather than anticipating any interference problems due to the changeover.

The four pages attached had been published by Schroeder[®] Industries LLC and explain the changeover in further detail.

AFFECTED PRODUCT:

All Schroeder[®] filter housings that incorporate a visual pop-up indicator (Dirt Alarm[®]).

ACTION REQUIRED:

The old style visual pop-up indicator is no longer available as a spare part, nor will it be utilized on any new Schroeder[®] filter housings that incorporate a visual pop-up indicator (Dirt Alarm[®]).

If a visual pop-up indicator on a Schroeder[®] filter ever fails, replace it with the new style D5 (latching) visual pop-up indicator, P/N 970292.

Do not replace any visual pop-up indicator that is in functioning condition.

Contact your local TESCO Parts and Service Center for further information regarding this bulletin and or supply of affected components noted above.



New D5 Indicators

As part of Schroeder's commitment to "continuously improve", our D5 visual pop-up indicator has been redesigned.

The new design offers improved performance, is impervious to water and dust, and is easier to install in the field. [Click here](#) to view a drawing that provides a comparison of the old vs. new D5 indicator. On the drawing, you will see that an additional indicator, the D10, is also available. The new D5 is a latching indicator; the D10 is a non-latching style, meaning that it has no memory; ie, the indicator setting is lost when the operating system is shut down. Please be advised that there is a slight increase in the height of the new indicators, which amounts to 0.40 inches for the D5 and 0.28 inches for the D10.

There is no change in the way the new indicator is specified in the filter assembly part number. However, the new D5 will have a new part numbering scheme when purchased as a separate piece. As you may be aware, the D5 indicator is available with different bypass settings. [Click here](#) to view the cross reference of part numbers for the old style D5 to the new style D5 when purchased as a stand alone item.

Product improvements include:

- easier to install (the new D5 indicator is supplied as a single assembly and can now be installed in a single operation instead of installing it in pieces)
- improved performance (the mode of operation results in a clearly discernable red or green color indication, eliminating any guesswork on the part of the user)
- improved design (the new design is completely sealed and is waterproof and dustproof)

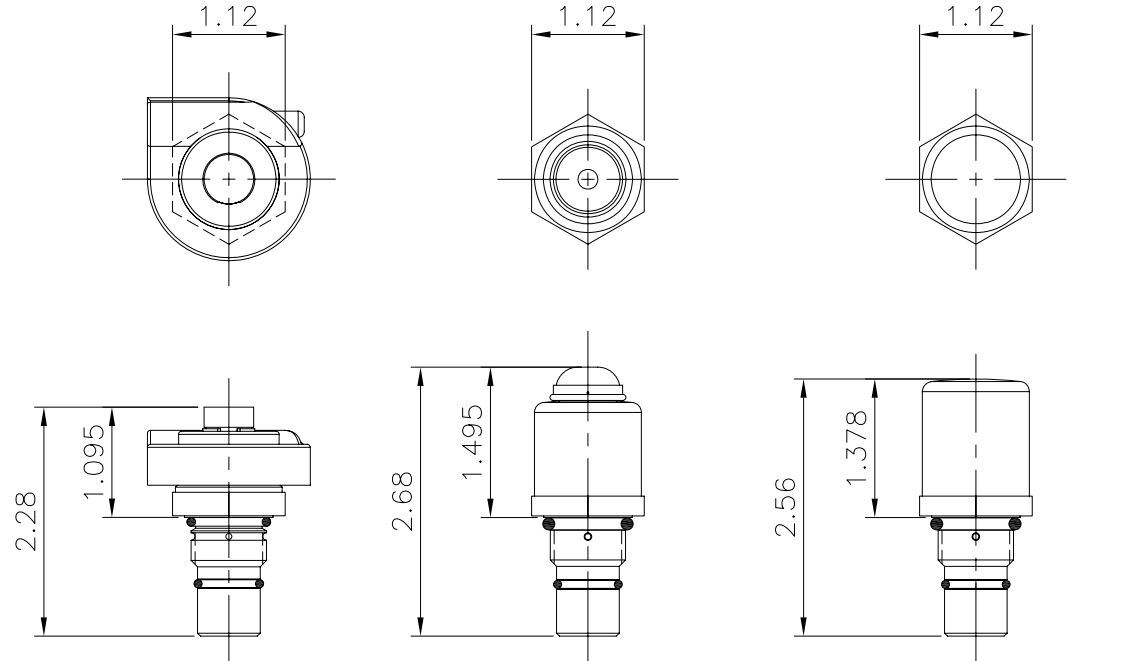
Net prices of the new D5 are identical to those of the old D5. The changeover from the old style to new style will begin the week of November 17 with the new style being phased in as the old styles are depleted.

ADVANTAGES:

- THESE NEW INDICATORS ARE SNAP-ACTING. THIS MODE OF OPERATION IS A MAJOR IMPROVEMENT OVER THE CURRENT D5 DESIGN. BOTH THE LATCHING AND NON-LATCHING VERSIONS FEATURE A BRIGHT, EASILY DISCERNABLE RED OR GREEN SETTING. WITH THESE NEW INDICATORS THERE IS NO GUESS WORK AS TO WHICH COLOR IS PRESENT.
- SEALED DESIGN-WATER AND DUST PROOF. ALSO RESISTS UP TO 50% HYDROCHLORIC ACID SOLUTION.
- UPPER VISUAL SECTION IS SMALLER THAN 1 1/8" HEX ACROSS THE FLATS. THIS ALLOWS INSTALLATION WITH STANDARD TOOLS (SOCKETS, WRENCH, ETC) UNLIKE THE EXISTING DESIGN.
- ALL CURRENT REPLACEMENT INDICATORS ARE SHIPPED AS UNASSEMBLED KITS TO ALLOW INSTALLATION USING STANDARD TOOLS. THE NEW DESIGN WOULD ELIMINATE THE UNASSEMBLED KITS.
- PART CONSOLIDATION-THE NEW D5 USES THE SAME PISTON, NYLON LOCK NUT, AND SPRINGS AS THE MS10.

DISADVANTAGES:

- THE NEW LATCHING AND NON-LATCHING INDICATORS ARE SLIGHTLY TALLER THAN CURRENT, 1.495" AND 1.378" RESPECTIVELY VERSUS 1.095" CURRENT.



D5 INDICATOR
EXISTING P/N
A-LF-2547-##
(DISCONTINUED)

Tesco p/n 2370

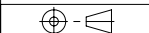
NEW LATCHING
INDICATOR
NEW P/N D5-##

Tesco p/n 970292

NEW NON-LATCHING
INDICATOR
NEW P/N D10-##

NOTES:

- 1.) ## = INDICATOR PRESSURE SETTING
- 2.) NON-STANDARD SEAL AND OPTIONS OMITTED FROM ABOVE PART NUMBERS FOR CLARITY.
- 3.) EXISTING D5 INDICATOR (A-LF-2547) WILL BE COMPLETELY DISCONTINUED AND NO LONGER AVAILABLE.
- 4.) THE EXISTING D8 THERMAL INDICATOR WILL REMAIN IN PRODUCTION UNTILL FURTHER NOTICE AS REPLACEMENT DESIGN IS IN DEVELOPMENT.



MATERIAL:	DEC. TOLERANCES	ALL DIMENSIONS IN INCHES [MM]	REV. CARD:
	2 PL. ± --	APP. S.EVANOVICH 7/29/08	REV. DATE:
	3 PL. ± --	CHK. S.EVANOVICH 7/29/08	B/M
	ANG. ± --	DWN. A.BOST 7-23-08	P/N

SALES DRAWING OF
NEW D5 AND D10
INDICATORS

THESE DRAWINGS, SPECIFICATIONS, AND THE IDEAS CONTAINED HEREIN ARE THE EXCLUSIVE PROPERTY OF SCHROEDER INDUSTRIES LLC AND ARE CONFIDENTIAL. THESE DOCUMENT(S) SHALL NOT BE COPIED OR REPRODUCED IN PART OR IN FULL AS A BASIS OF DESIGN, MANUFACTURE, OR SALE, AND SHALL NOT BE USED IN ANY WAY DETRIMENTAL TO THE INTEREST OF THIS COMPANY. THEY ARE SUBJECT TO RETURN UPON REQUEST.



REV.	DRAWING NO.
	C- 13549
SCALE: 1=1	SHT.1 OF 1

Creating a visual indicator part number:

D	5 10	V	SS	- # #
	5=Latching Style 10=Non-Latching Style	Type of Seal Omit for BUNA-N V=Viton C=Neoprene B=EPR	SS=Stainless Steel Omit for Anodized Aluminum	PSI Setting: -10=10PSI -15=15PSI -20=20PSI -25=25PSI -30=30PSI -40=40PSI -50=50PSI -60=60PSI -75=75PSI -90=90PSI

D5 - Latching Indicator

Anodized Aluminum Indicators	
Old Part Numbers	New Part Numbers
BUNA-N SEALS	
A-LF-2547-10	D5-10
A-LF-2547-15	D5-15
	D5-20
A-LF-2547-25	D5-25
A-LF-2547#	D5-30
A-LF-2547	D5-30
A-LF-2547-40	D5-40
A-LF-2547-40#	D5-40
A-LF-2547-50	D5-50
A-LF-2547-50#	D5-50
A-LF-2547-60	D5-60
	D5-75
A-LF-2547-90	D5-90
A-LF-2547-90#	D5-90
VITON SEALS	
	D5V-10
	D5V-15
	D5V-20
	D5V-25
A-LF-2547V#	D5V-30
A-LF-2547V-40#	D5V-40
	D5V-50
A-LF-2547V-60	D5V-60
A-LF-2547V-60#	D5V-60
	D5V-75
	D5V-90
EPR SEALS	
	D5B-10
	D5B-15
	D5B-20
	D5B-25
A-LF-2547B#	D5B-30
A-LF-2547B-40#	D5B-40
	D5B-50
	D5B-60
	D5B-75
	D5B-90
NEOPRENE SEALS	
	D5C-10
	D5C-15
	D5C-20
	D5C-25
	D5C-30
	D5C-40
	D5C-50
	D5C-60
	D5C-75
	D5C-90

Stainless Steel Indicators	
Old Part Numbers	New Part Numbers
BUNA-N SEALS	
	D5SS-10
	D5SS-15
	D5SS-20
	D5SS-25
A-LF-8030-30	D5SS-30
A-LF-2547SS	D5SS-30
A-LF-2547SS#	D5SS-30
A-LF-8030-40	D5SS-40
A-LF-8030-40#	D5SS-40
A-LF-2547SS-40	D5SS-40
A-LF-8030-50	D5SS-50
A-LF-2547-50SS	D5SS-50
A-LF-2547-50SS#	D5SS-50
A-LF-8030-50#	D5SS-50
	D5SS-60
	D5SS-75
	D5SS-90
VITON SEALS	
	D5VSS-10
	D5VSS-15
	D5VSS-20
	D5VSS-25
A-LF-2547SSV#	D5VSS-30
	D5VSS-40
A-LF-8030V-50	D5VSS-50
A-LF-2547V-SS50	D5VSS-50
	D5VSS-60
	D5VSS-75
	D5VSS-90
EPR SEALS	
	D5BSS-10
	D5BSS-15
	D5BSS-20
	D5BSS-25
	D5BSS-30
	D5BSS-40
	D5BSS-50
	D5BSS-60
	D5BSS-75
	D5BSS-90
NEOPRENE SEALS	
	D5CSS-10
	D5CSS-15
	D5CSS-20
	D5CSS-25
	D5CSS-30
	D5CSS-40
	D5CSS-50
	D5CSS-60
	D5CSS-75
	D5CSS-90

Tesco p/n 2370

Tesco p/n 970292

D10 - Non-Latching Indicator

Anodized Aluminum Indicators	
Old Part Numbers	New Part Numbers
BUNA-N SEALS	
	D10-10
	D10-15
	D10-20
	D10-25
	D10-30
A-LF-7421-40	D10-40
	D10-50
	D10-60
	D10-75
	D10-90
VITON SEALS	
	D10V-10
	D10V-15
	D10V-20
	D10V-25
	D10V-30
	D10V-40
	D10V-50
	D10V-60
	D10V-75
	D10V-90
EPR SEALS	
	D10B-10
	D10B-15
	D10B-20
	D10B-25
	D10B-30
	D10B-40
	D10B-50
	D10B-60
	D10B-75
	D10B-90
NEOPRENE SEALS	
	D10C-10
	D10C-15
	D10C-20
	D10C-25
	D10C-30
	D10C-40
	D10C-50
	D10C-60
	D10C-75
	D10C-90

Stainless Steel Indicators	
Old Part Numbers	New Part Numbers
BUNA-N SEALS	
	D10SS-10
	D10SS-15
	D10SS-20
	D10SS-25
	D10SS-30
	D10SS-40
	D10SS-50
	D10SS-60
	D10SS-75
	D10SS-90
VITON SEALS	
	D10VSS-10
	D10VSS-15
	D10VSS-20
	D10VSS-25
	D10VSS-30
	D10VSS-40
	D10VSS-50
	D10VSS-60
	D10VSS-75
	D10VSS-90
EPR SEALS	
	D10BSS-10
	D10BSS-15
	D10BSS-20
	D10BSS-25
	D10BSS-30
	D10BSS-40
	D10BSS-50
	D10BSS-60
	D10BSS-75
	D10BSS-90
NEOPRENE SEALS	
	D10CSS-10
	D10CSS-15
	D10CSS-20
	D10CSS-25
	D10CSS-30
	D10CSS-40
	D10CSS-50
	D10CSS-60
	D10CSS-75
	D10CSS-90