



Change Bulletin			 Tesco Corporation 5616 – 80th Avenue SE Calgary, Alberta, Canada T2C 4N5 Tel: 1-877-TESCO-77 (North America) Tel: 1 (713) 359-7195 (AMSS 24-hour support) Tel: 1 (713) 359-7295 (International) Email: bulletins@Tescocorp.com www.Tescocorp.com
No: CB064	Rev: 1	Date: July 05, 2017	
End of Life (EOL) for ESI 8"x12" Torque Arrest System			 TESCO
<input type="checkbox"/> Internal Use Only		<input checked="" type="checkbox"/> External Use	

NOTE: All numbers in parentheses are Tesco part numbers unless otherwise noted.

BACKGROUND INFORMATION:

Based on customer request, Tesco has designed and introduced a new and improved monorail torque arrest system for use with the ESI Top Drive system. The new monorail system utilizes a 12" x 16" beam (Figure 1) as opposed to the 8" x 12" beam utilized in the previous design. This results in a more rigid and robust torque arrest assembly and overall improved service life of consumable components.

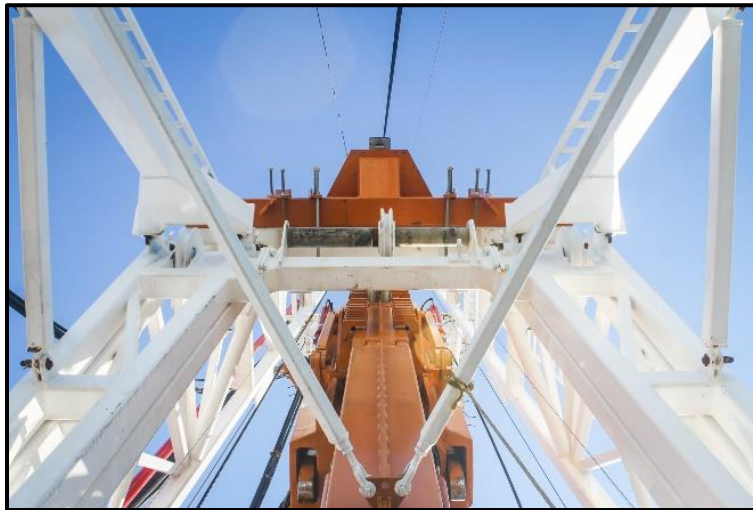


Figure 1: Vertical view of 12" x 16" torque arrest system

System Features & Enhancements:

- Reduced to a single T-bar (Figure 5), eliminating the need for an upper T-bar. Effectively simplifying and reducing the time for rig-up/rig-down of the track system.
- New dual-bushing design significantly increases the working life of many consumable components such as the torque bushing liners and associated hardware.
- Increased rigidity of the track ensures proper alignment of the top drive to hole center is maintained despite demanding drilling conditions.
- New 12" x 16" design is approximately three times more rigid than the previous design, resulting in minimized movement of the top drive, even under the harshest drilling conditions.
- The installation and removal of the new track system is simplified with fewer moving parts, reducing rig move time.

Copyright © 2016 Tesco Corporation. TESCO® is a registered trademark in the United States and Canada. Casing Drive System™, CDS™, Multiple Control Line Running System™ and MCLRS™ are trademarks in the United States. All information in this document is proprietary and confidential, and shall remain the sole property of Tesco Corporation. This document shall not be used, copied, or reproduced in whole or in part, nor shall be revealed in any manner to outside parties without prior written permission from Tesco Corporation.

End-of-Life (EOL):

Starting in 2015, all new ESI Top Drives were delivered with the new 12" x 16" torque arrest system and corresponding torque bushing configuration of their choosing. The new 12" x 16" torque arrest system comes standard with a non-extend frame torque bushing (Figure 4) and has an optional extend frame torque bushing (Figure 2 and Figure 3) for customers requiring the additional travel it provides.

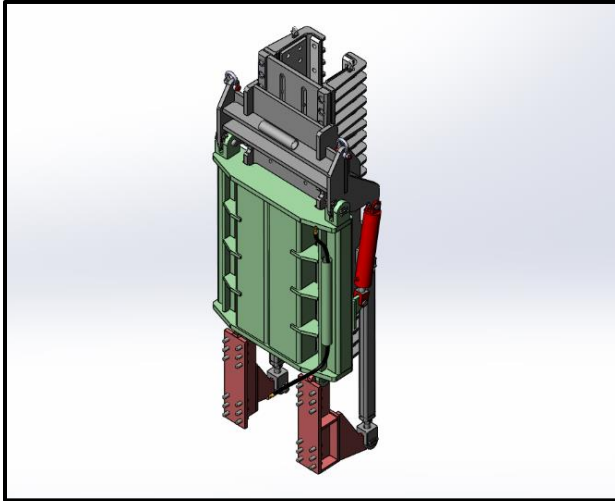


Figure 2: Extend Frame Torque Bushing - Retracted

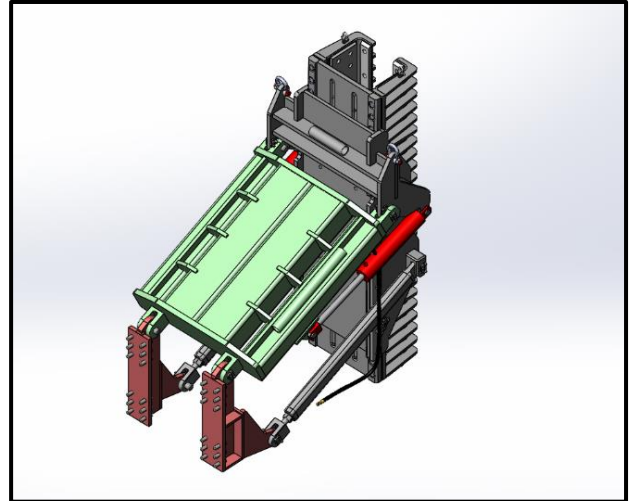


Figure 3: Extend Frame Torque Bushing – Extended

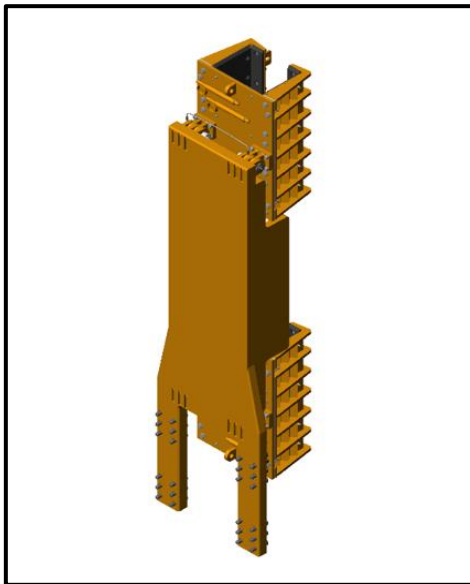


Figure 4: Non-Extend Frame Torque Bushing

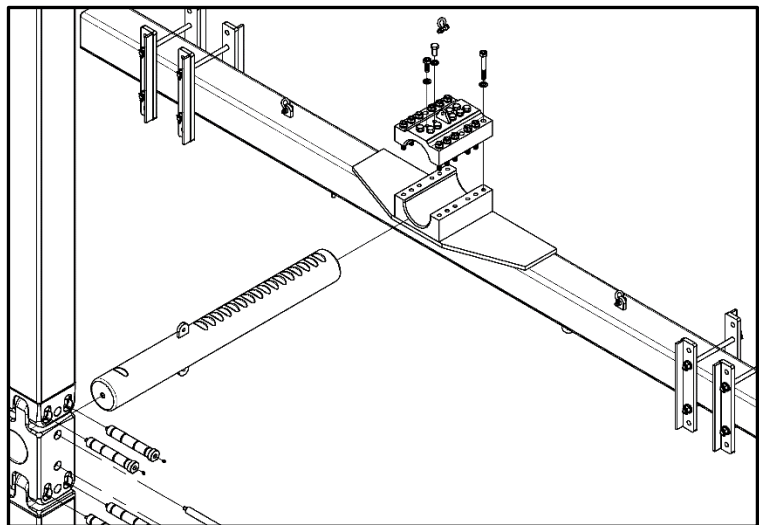


Figure 5: Single T-bar Eliminates Need for Upper T-Bar

As of May 01, 2016, in an effort to standardize equipment and inventory, Tesco is declaring end-of-life (EOL) and will no longer supply 8" x 12" torque arrest systems or major components of the assembly for use with the ESI Top Drive models. Tesco will however, continue to support customers with select consumable components for the 8" x 12" torque arrest system such as connector pins (13902), torque bushing (5007724), torque bushing liners (5029457, 5029458, 5029459) and fasteners (5019953) while quantities last.

Copyright © 2017 Tesco Corporation. TESCO® is a registered trademark in the United States and Canada. Casing Drive System™, CDS™, Multiple Control Line Running System™ and MCLRS™ are trademarks in the United States. All information in this document is proprietary and confidential, and shall remain the sole property of Tesco Corporation. This document shall not be used, copied, or reproduced in whole or in part, nor shall be revealed in any manner to outside parties without prior written permission from Tesco Corporation.

To further accommodate customer demand, Tesco is designing an 8" x 16" torque arrest system that will be available as an option for ESI Top Drives later in the year.

AFFECTED PRODUCTS:

All 8" x 12" torque track arrest systems.

Part Number	Description
5007361	Torque Track Set, Dual Pin (Std), 12"x8", ESI

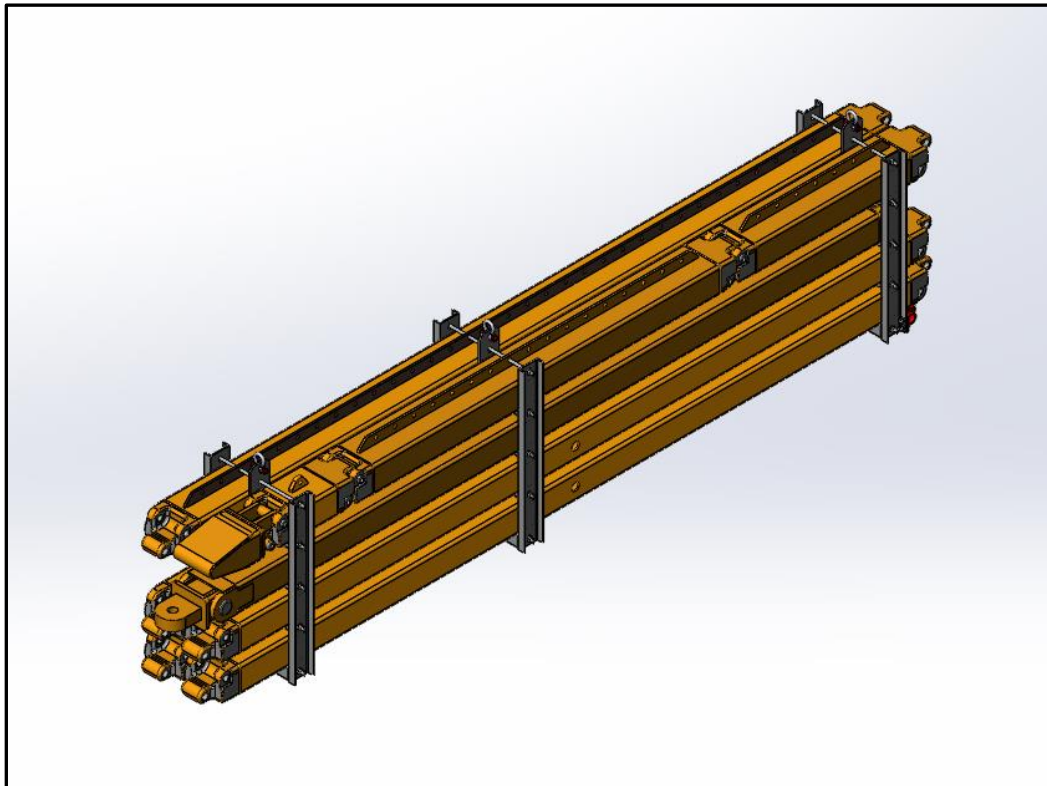


Figure 6: 8" x 12" Torque Track Arrest System in a bundle

ACTION REQUIRED:

To assist customers in this transition, Tesco is offering a special upgrade program to all current ESI customers who own an 8" x 12" torque arrest system supplied by Tesco. For a limited time, Tesco will offer customers a credit for their current 8" x 12" torque arrest system when they purchase the new 12" x 16" torque arrest system to minimize the upgrade expense. This offer expires 18 months following initial release of this bulletin, or on September 30th, 2017.

Contact your local Tesco Service center to hear more about upgrade options available today.

Version	Date (D/M/Y)	ECN	Description of changes
Rev 0	21/04/2016	157-0085	Initial release of document
Rev 1	05/07/2017	157-0097	Add expire date for upgrade program offer; update Figure 5

Copyright © 2017 Tesco Corporation. TESCO® is a registered trademark in the United States and Canada. Casing Drive System™, CDS™, Multiple Control Line Running System™ and MCLRS™ are trademarks in the United States. All information in this document is proprietary and confidential, and shall remain the sole property of Tesco Corporation. This document shall not be used, copied, or reproduced in whole or in part, nor shall be revealed in any manner to outside parties without prior written permission from Tesco Corporation.