

Safety Bulletin			 TESCO [®] Tesco Corporation 5616 – 80th Avenue SE Calgary, Alberta, Canada T2C 4N5 Tel: 1-877-TESCO-77 (North America) Tel: 1 (713) 359-7195 (AMSS 24-hour support) Tel: 1 (713) 359-7295 (International) Email: bulletins@tescocorp.com www.tescocorp.com www.tescoparts.com
No: SB100	Rev: 0	Date: November 2, 2016	
Dropped Object from ESI Top Drive Blower Motor			
<input type="checkbox"/> Internal Use Only <input checked="" type="checkbox"/> External Use		<input checked="" type="checkbox"/> Mandatory <input type="checkbox"/> Recommended	

NOTE: All numbers in parentheses are Tesco part numbers unless otherwise noted.

BACKGROUND INFORMATION:

A dropped object incident was reported in August 2016 which involved falling debris from the blower motor’s metal cover on an ESI Top Drive electric motor assembly. This resulted from the disintegration of the metal cover due to long-term wear on the blower motor. This was an isolated incident with no reported injuries to rig personnel. Tesco is currently conducting an investigation to ensure that secondary retention for the blower motor meets or exceeds DROPS recommendations as per Tesco’s Dropped Object Prevention Program. Further information will be provided in a later revision of this bulletin after a thorough investigation has been conducted with our customer’s QHSE team.

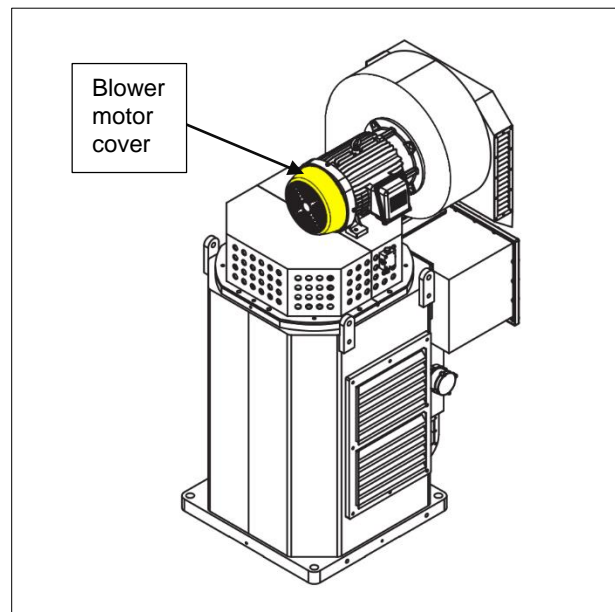


Figure 1: Motor cover

Tesco Part #	Description	Top Drive Model
7000060	Motor, Elec, 1350 HP, 550VAC/60Hz/50Hz, 575V Blower Motor, 800RPM, w/ Brake	All ESI Top Drives

Version	Date (D/M/Y)	ECN	Description of changes
Rev 0	2/11/2016	267-0037	Initial release of document

Copyright © 2016 Tesco Corporation. TESCO® is a registered trademark in the United States and Canada. All information in this document is proprietary and confidential, and shall remain the sole property of Tesco Corporation. This document shall not be used, copied, or reproduced in whole or in part, nor shall be revealed in any manner to outside parties without prior written permission from Tesco Corporation.

AFFECTED PRODUCTS:

Tesco 500/750TON ESI 1350HP and 500TON ESI 1000HP Top Drives.

ACTION REQUIRED:

For ESI Top Drives currently operating in the field, Tesco recommends the following:

1. Ensure that secondary retention is applied for the blower motor.
 - Refer to Tesco drawing no. 7000060 to ensure that a sling wire rope (5036166) and a shackle (4770) are used to secure the blower motor to the electric motor assembly.

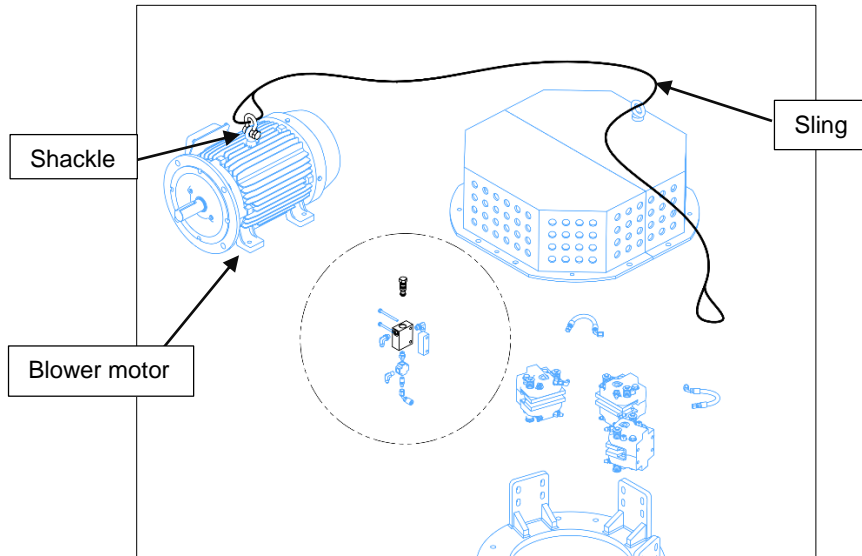


Figure 2: Secondary retention for blower motor

2. The secondary retention mentioned in Step 1 above does NOT contain the blower motor's metal cover if it disintegrates. As such, Tesco recommends visual inspection of the metal cover for cracks, damage, or any other signs of deterioration. If any signs of deterioration are identified, remove the metal cover and fasteners, and then contact a local Tesco representative immediately.