

Technical Bulletin

TB No: 036

Rev: A

Date: May 12, 2006

Description: 9" Grabber Assembly Upgrade



Tesco Corporation
6204 – 6A Street SE
Calgary, Alberta T2H 2B7
Phone: (403) 692 5700
www.tescocorp.com



TESCO

BACKGROUND INFORMATION

A redesigned clamping box has been introduced for all models of Tesco Top Drives that use the 9" Grabber Assembly. The new clamping box is a one piece welded construction designed to prevent mechanical separation of the front and rear bolted plates from the assembly. In addition to improving safety by reducing the number of overhead parts (plates and bolts), this redesign will also reduce assembly and maintenance time.

AFFECTED PRODUCT:

Top Drive Models: HS, HC, HCI, HCI(S), EMI, EC, ECI and ECI(S) with 9" Grabber Assembly part number 8538.

ACTION RECOMMENDED:

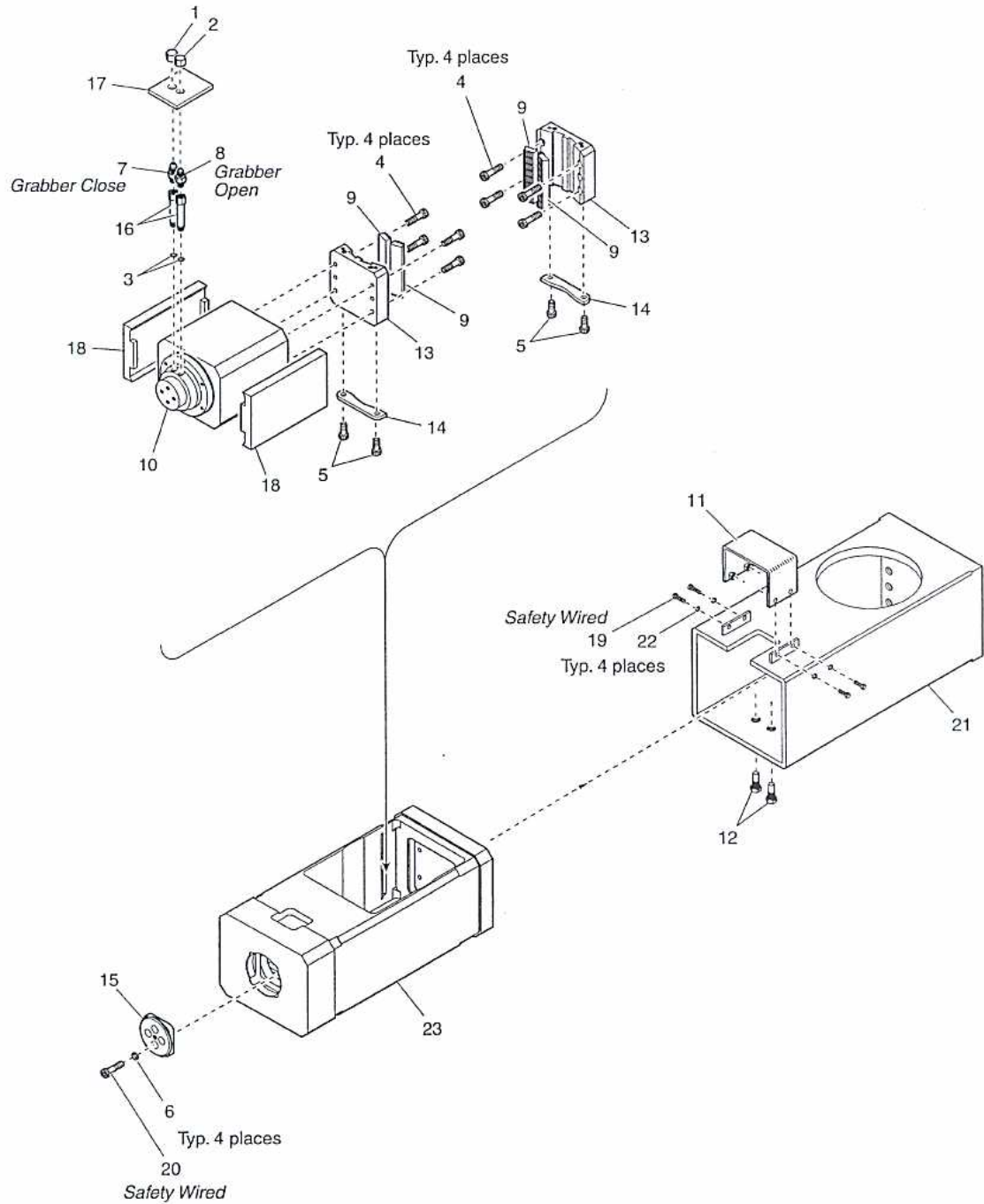
Install new 9" Grabber clamping box part number 810065 (see item# 23 on attached illustration). With the exception of the Bolt Retaining Plate (part number 10194, not required), all remaining parts including the cylinder, die holders, hydraulic fittings, etc, can be reused to create the new 9" Grabber Assembly part number 720457.

REMINDER: Perform appropriate checks and inspections on parts selected to be reused.

Please contact Tesco Corporation at the following email address on issues specific to this bulletin.

[Safety Technical Bulletins@TescoCorp.com](mailto:Safety_Technical_Bulletins@TescoCorp.com)

Contact your local Tesco Part Sales Center for supply of affected components as noted above.



Rev.	By	Date	ICD#	Description
A	VNL	050505		Issued for manufacture
B	VNL	051031	HLR-18	Updated item 23

		Title	
		Grabber, 9"	
File No.	I-720457-1.ai	Model	ECI/HCI/EMI
Dwg No.	I-720457	Rev	B
Date	050505	Sheet	1 of 1
Drawn	VNL	Checked	[Signature]
App	[Signature]	App	[Signature]