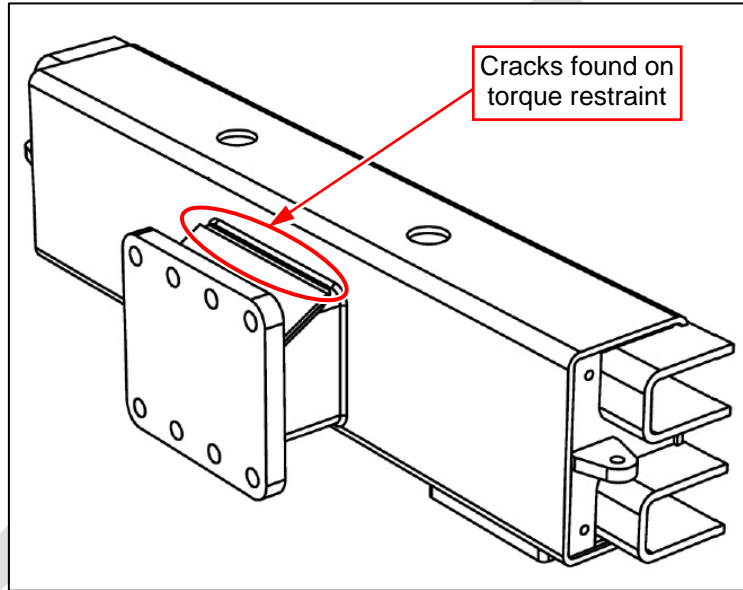


<b>Technical Bulletin</b>				Tesco Corporation 5616 – 80th Avenue SE Calgary, Alberta, Canada T2C 4N5 Tel: 1-877-TESCO-77 (North America) Tel: 1 (713) 359-7195 (AMSS 24-hour support) Tel: 1 (713) 359-7295 (International) Email: <a href="mailto:bulletins@tescocorp.com">bulletins@tescocorp.com</a> <a href="http://www.tescocorp.com">www.tescocorp.com</a> <a href="http://www.tescoparts.com">www.tescoparts.com</a>
<b>No: TB083</b>	<b>Rev: 0</b>	<b>Date: 08 July 2011</b>		
<b>Field Upgrade for 150 Ton Torque Restraint to Add Reinforcing Gussets</b>				

**BACKGROUND INFORMATION:**

It was found that the 150-ton torque restraint used on TESCO 150-EMI-400 Top Drives was subject to cracking around the sides of the torque restraint during transportation.



To prevent future occurrences of cracking on the torque restraint, TESCO developed a work instruction that describes the procedure to add reinforcing gussets to the torque restraint.

For more information on adding reinforcing gussets to the 150-ton torque restraint, reference the following documents:

- Work Instruction WI-810232Rev0 (Field Upgrade for 150 Ton Torque Restraint to Add Reinforcing Gussets)
- Drawing number 810232Rev2 (Torque Restraint,EMI400,H&P150T,Weldment), which specifies Complete Joint Penetration on the weld

**AFFECTED PRODUCT:**

150-EMI-400 Top Drives.

**ACTION REQUIRED:**

Ensure customers using the TESCO 150-EMI-400 Top Drive have added the reinforcing gussets to the torque restraint.

Version	Date (D/M/Y)	ECN	Description of Bulletin Changes
Rev 0	08/07/2011	141-0214	Initial release of document