



Model: T-Series Top Drives Serial #: N/A	Oct. 30, 2024
Product Bulletin # TDS-258 Rev 1	

## Grabber Clamping Box Inspection

### Issue

Canrig was made aware of an incident wherein the grabber die holder plate separated from the grabber clamping box after the grabber was forced away from the grabber leg whilst torquing. Canrig recommends inspection as a precaution to prevent a dropped object incident.



Figure 1: Damaged Grabber Die Holder Plate

### Affected Part Numbers

Canrig recommends customers to replace the affected part numbers in **Table 1** with new part numbers in **Table 2**.

**Table 1: Affected Part Numbers**

Canrig Part #	Description
820238	BOX, CLAMPING, MACHINING, 10.5, GRABBER
810065	BOX, CLAMPING, MACHINING, 9, GRABBER

**Table 2: New Part Numbers**

Canrig Part #	Description
820238-1	BOX, CLAMPING, MACHINING, 10.5, GRABBER
810065-1	BOX, CLAMPING, MACHINING, 9, GRABBER



Model: T-Series Top Drives  
Serial #: N/A

Oct. 30, 2024

## Recommendation

Canrig recommends inspecting the grabber clamping box including welds and replace the part if cracks or signs of damages are present.

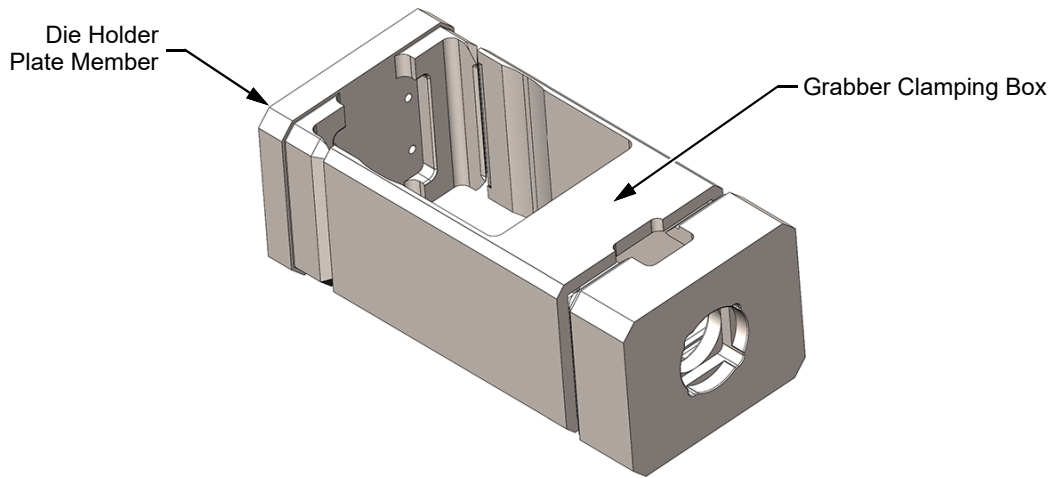


Figure 2: Grabber clamping box

## Inspection

1. Visually check the entire grabber clamping box including the inside corners of the grabber die plate for cracks or other signs of damage.

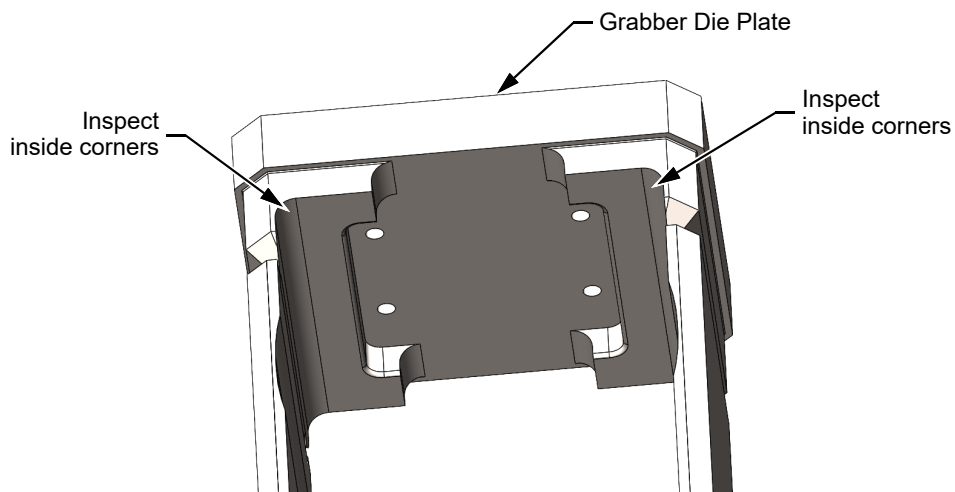


Figure 3: Grabber die plate inside corners



Model: T-Series Top Drives	Oct. 30, 2024
Serial #: N/A	

2. Perform MPI on the parts when downtime schedule permits.
3. Replace all grabber clamping boxes immediately if cracks or signs of damages are present.

## Parts

Contact Canrig Part Sales ([part.sales@canrig.com](mailto:part.sales@canrig.com)) for replacement parts.